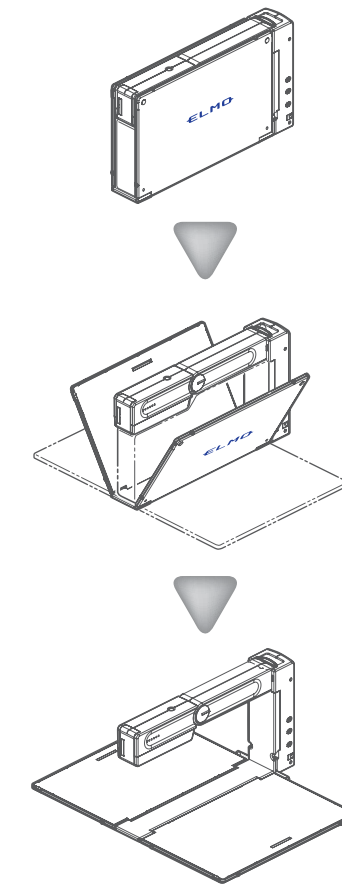
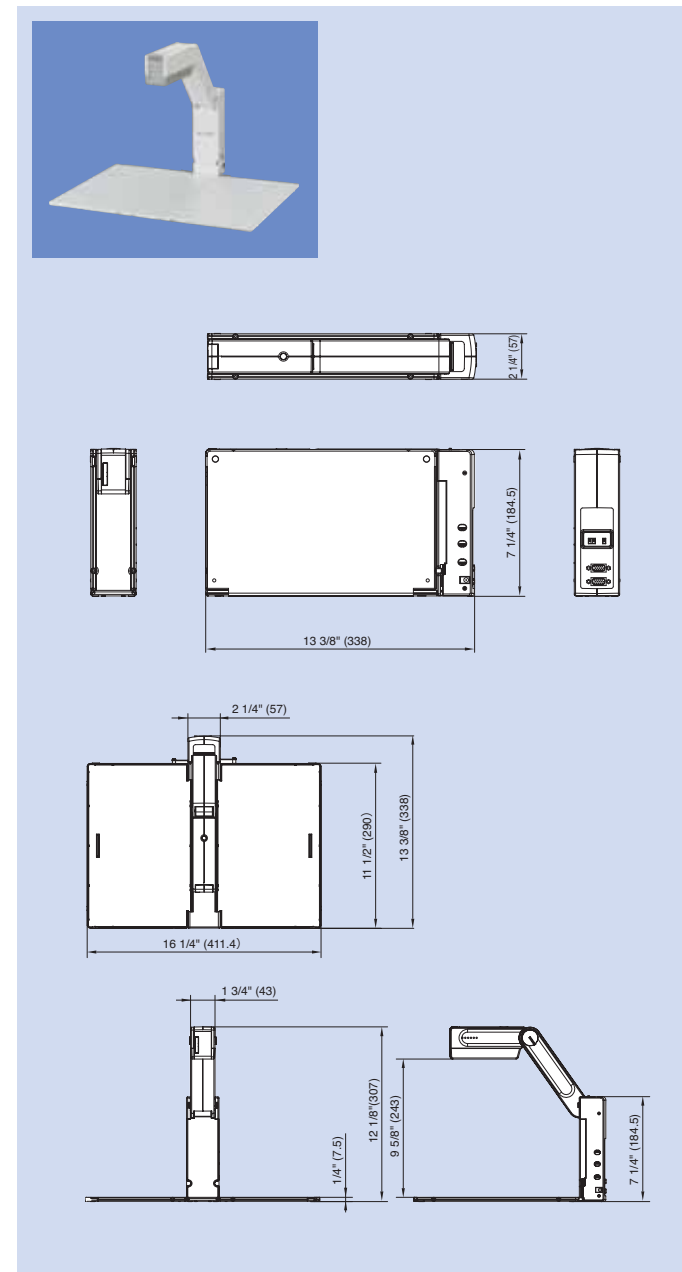


HV-110u Specifications

Model		HV-110u
Camera	Image pick-up device	1/3" progressive scan CCD, 850,000 pixels
	Effective pixels	1024 (H) x 768 (V)
	Frame rate	20 frames/sec.
	Resolution	600(H) x 600(V) TV lines
Optics	Lens	F4.0, f=3mm
	Shooting area	Max. 15 7/8" x 11 7/8" (401 x 300mm) Min. 8 3/4" x 6 1/2" (221 x 165mm)
	Focus	FOCUSFREE
	Brightness control	Auto (level control provided) / Manual (powered)
Functions	White balance	Full-Auto/Fixed
	Text mode	Provided
	Digital zoom	Provided (8x)
	Media Menu	Provided
	Image save	Provided (onto SD card)
	Sync. system	Internal
	Flickerless mode	Provided
Interfaces	Internal selection	Int./RGB
	Analog RGB output	XGA (1024x768 @60Hz)
	RGB input	Provided
	USB port	Provided
	SD card slot	Provided
Lighting	Illumination lamp	Provided
Others	Accessories	AC adapter, RGB cable, Instruction manual, AC cord, anti-glare sheet (A5 size), holding band, USB cable, Image Mate, TWAIN DS driver, Accessory case, Warranty card
	Dimensions Setup (W x D x H)	Setup 16 1/4"x13 3/8"x12 1/8" (411.4 x 338 x 307mm) Folded 2 1/4"x13 3/8"x7 1/4" (57 x 338 x 184.5mm)
	Weight	4.2lbs (1.9Kgs)
	Power consumption	7W
	Power source	DC12V (AC adapter)

Profile

All dimensions in inches (mm)



ELMO's Helping to Provide a Greener Future for Our Children

This ELMO product complies with RoHS Directive 2002/95/EC (Restriction Of the use of certain Hazardous Substances in electronic equipment). This compliance helps to ensure a healthier and greener environment for all our children.

Design and specifications are subject to change without prior notice.
The images on this brochure are simulated.

"ELMO" is a trademark or registered trademark of ELMO COMPANY, LIMITED.

Other brand names and product names may be trademarks or registered trademarks of their respective owners.

ISO 9001
JP 95/05165QA
ISO 14001
TW 01/19851EM

ELMO CO.,LTD. (Head Office and
Factory's QMS/EMS has been
registered to ISO 9001 & 14001 : 2004.

ELMO

FOCUS ON THE FUTURE

ELMO CO., LTD.

6-14, Meizen-cho, Mizuho-ku
Nagoya, 467-8567, Japan

Distributed by

Additional technical information is available from any of the following subsidiary companies:

ELMO USA Corp.

Headquarters
1478 Old Country Road
Plainview, NY 11803-5034, U.S.A.
Tel. (516) 501-1400 Fax. (516) 501-0429
E-mail : elmo@elmousa.com
Web : <http://www.elmousa.com>

West Coast Branch

Cypress Pointe Business Park
5676 Corporate Avenue
Cypress, CA 90630, U.S.A.
Tel. (714) 828-8457 Fax. (714) 828-8429

ELMO (Europe) G.m.b.H.

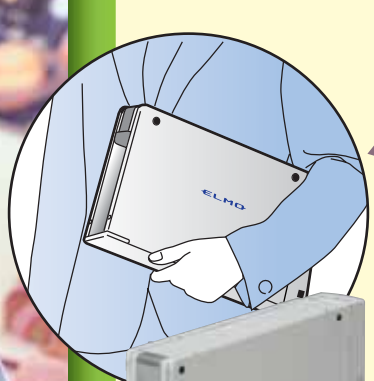
Neanderstr 18,
40233 Düsseldorf, Germany
Tel. (0211) 386470 Fax. (0211) 376630
E-mail : info@elmoeurope.com
Web : <http://www.elmoeurope.com>



This brochure is printed on recycled paper with soy ink.

Printed in Japan(A)6/2007

Small Body Great Impressions

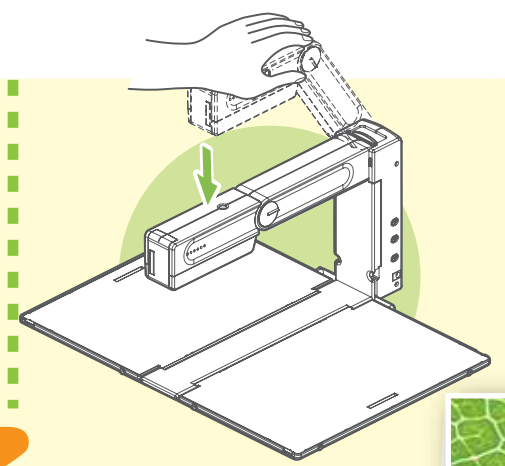


Weight 4.2lbs,
Only A4 size
when folded

1



2



3

Easy!

The HV-110u is focus free



Clear!

Built-in 850,000 pixels
progressive scan CCD camera
Two times mechanical zoom function,
Plus up to four times
digital zoom function



LED provides uniform lighting

**Compact
& Simple!**

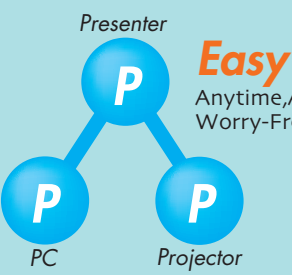
Speedy!

Set up in only three steps

- New Compact Design
- FOCUSFREE
- 8x Digital Zoom
- USB2.0
- SD card slot
- Flickerless Mode
- Brightness control
- 850K pixels Progressive Scan CCD
- Moving Picture Output 20 frames/sec
- RGB Switcher Function
- White LED equipped
- Application Software
- Media Menu
- Text Mode

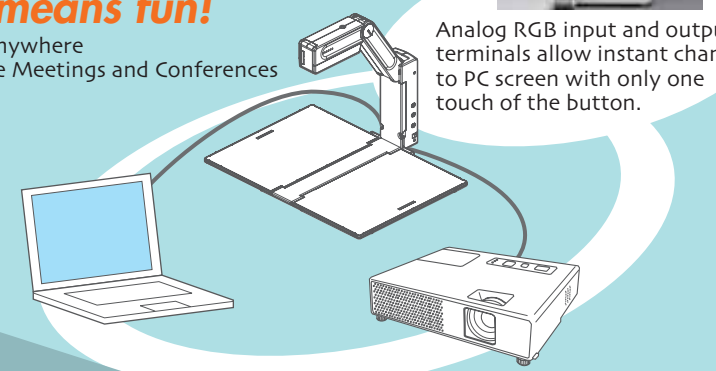
Real time presentation!

for **Comprehensible and Creative meeting and classwork**
Presenter+Projector+PC
Presentations with 3 Ps persuade and impress. Change smoothly from presenter to PC.



Easy means fun!

Anytime, Anywhere
Worry-Free Meetings and Conferences



Analog RGB input and output terminals allow instant change to PC screen with only one touch of the button.

Visual Presenter
HV-110u



SD Memory Card-ready

You can store images directly to the SD card.

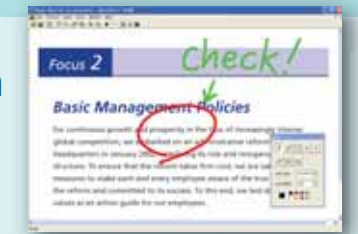
Note : Only image files saved to the HV-110u's SD card or converted using the supplied conversion software are viewable through the HV-110u.



Enjoy presentation!

Image Mate for Presentaion

Annotation tools let you draw lines (freehand or straight) in a variety of colors to highlight and enhance screen images, right from your PC.



Split screen gives you a platform for comparing live video to stored image - side by side for greater visual impact.

USB2.0 PC Interface

USB2.0 connection to PC supports instant drawing to highlight and annotate image

Multi application

