

## Adjustable Tilting Mount

INSTRUCTION  
MANUAL

Please read this manual carefully before using this product and keep it for future preference.

## IMPORTANT SAFEGUARDS

Please read all precautions and warnings before starting to use.

The information is provided to ensure proper operation of this product and will prevent you or others from personal injury or loss of assets.

Review the following symbols so that you understand them before reading the rest of the manual. Please read carefully and keep the manual in a safe place for future preference.

	<b>DANGER</b>	Ignoring the warning and operating the system incorrectly subjects the user to an extremely high risk of injury or death.
	<b>WARNING</b>	Ignoring the warning and operating the system incorrectly subjects the user to possible risk of injury or death.
	<b>CAUTION</b>	Ignoring the warning and operating the system incorrectly subjects the user to risk of injury or loss of assets.

**DANGER**

- Verify the following before you use this product or QBiC.
- There is no damage in the mounts. • QBiC is firmly attached.
  - The screws are firmly tightened.
  - The mounts are firmly installed to the respective position.

- When using this product or QBiC attaching to your body or helmet while driving a car, motorbike or bicycle, pay attention to the traffic and road surface conditions around you to prevent any accident.
- Never operate this product or QBiC while driving a car, motorbike or bicycle.
- It could cause injury when this product or QBiC accidentally hits your body in a collision or a fall.

- Do not attach this product or QBiC outside a car, motorbike or bicycle.
- It may be prohibited by law to attach an object other than specified outside a car, motorbike or bicycle. If you have a permit and intend to attach this product or QBiC outside a car, motorbike or bicycle, make sure to attach them firmly so that they won't come off during driving.

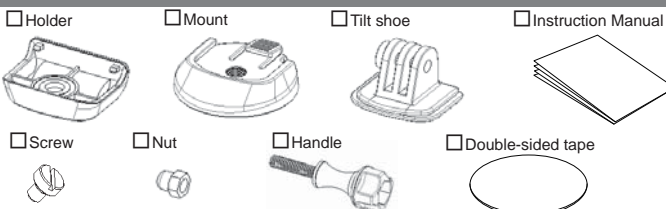
**WARNING**

- Keep this product, package or packing materials out of baby's reach.
- They could choke or injure a baby if swallowed. Contact a doctor immediately if this happens.
- Do not install this product in areas where salt erosion or corrosive gas is produced.
- The product will be damaged and it may cause QBiC to drop accidentally, leading to injury or malfunction.
- Do not install this product to insecure places.
- It may cause QBiC to drop accidentally, leading to injury or malfunction.
- Do not attach objects other than specified to the mounts.
- The object may drop due to insufficient support, leading to injury or malfunction.

**CAUTION**

- Do not clean this product with strong solvents such as thinner and benzene.
- This may damage the quality of rubber material.
- Clean this product only with a dry, soft cloth. In case of heavy dirt, wash lightly with fresh water. Then wipe it with a dry, soft cloth.
- Do not use this product in hot place or under strong sunlight for a long period of time.
- Excessive heat may damage the quality of this product or change its shape, causing QBiC to drop due to insufficient support, leading to injury or malfunction.
- Do not move this product with excessive force when screws are tightened.
- It may cause the screw to become loose or damage the screw.
- Do not install this product to wet place or use under water.
- It may weaken the attachment of the double-faced tape causing the product to easily detach itself.
- Depending on the shape of the place, this product may not be installed.
- Do not force to install too much. It may damage the place.
- Do not swing the object around.
- It may cause QBiC MS-1 and this product to be detached from the object

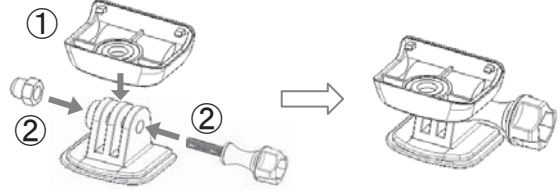
## WHAT'S IN THE BOX



## HOW TO USE

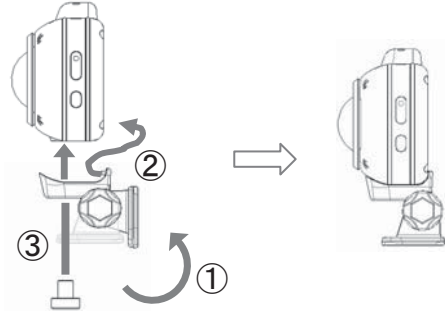
## 1. Assemble the holder.

- ① Assemble the tilt holder and the tilt shoe. Align the holes.
- ② Insert the nut and the handle into the hole. Fix it firmly.



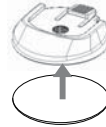
## 2. Attach the holder to QBiC MS-1 (sold separately).

- ① Loosen the handle screw and fold back the tilt shoe.
- ② Insert the claws on the holder into the holes on the back of QBiC MS-1.
- ③ Then tighten the screw into the tripod thread of QBiC MS-1.



## 3. Attach the mount.

- When using double-sided tape  
Attach the mount using the supplied double-sided tape. Make sure to wipe off water, oil or dirt on the attachment surface in advance.

 **CAUTION**

- Do not attach to the rough surface such as wood, skin or cloth.
- There may be residue left on the surface when you try to peel the tape away.
- Do not reuse the tape.

- When using a commercially available screw  
Attach the mount using the supplied "1/4-20UNC" screw (Length: 6mm or less) available in the market, you can attach to a standard tripod and the like.

 **CAUTION**

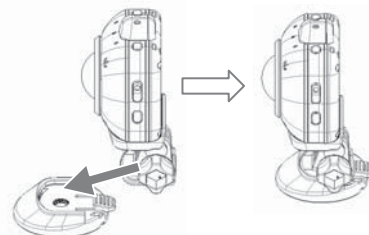
- Make sure that the screw does not come out of the mount.

**CAUTION**

- When installing to a place where there is a risk of falling such as a ceiling and a wall surface, put a wire through the security hole and tie it to a secure place. (The wire is not included.)

## 4. Attach QBiC MS-1 to the mount.

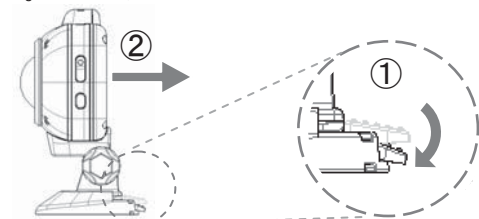
Attach QBiC MS-1 and the holder to the fixed mount.

 **CAUTION**

- Be careful not to sandwich your fingers at the time of installation / disassembly.

## 5. Remove QBiC MS-1 from the mount.

- ① Press down the lock.
- ② Holding the lock down, slide QBiC MS-1 and the holder backward to remove.



\*Please refer to QBiC instruction manual for shooting information.

Installable device: QBiC MS-1

※Do not attach objects other than specified to this product.

## PLEASE NOTE:

- Contents of this manual may be subject to change without notice.  
Please check the latest version from the following QBiC MS-1 website.  
<http://www.elmoqbic.com/>
- We shall not be liable for any direct, indirect, punitive, incidental, special, consequential or exemplary damages, including but not limited to loss of profits or claims by third party, resulting from your use of this product.

## •Contact Us

Please refer to the above-mentioned QBiC Website.